

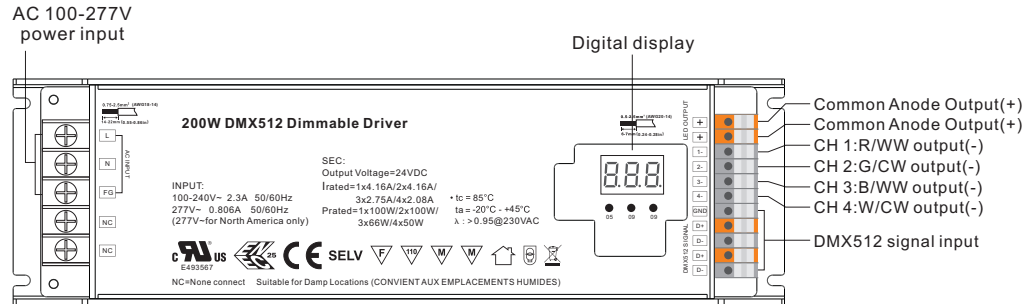
200W DMX512 LED Driver(constant voltage)

70230016



Important: Read All Instructions Prior to Installation

Function introduction



Product Data

Output	LED Channel	4	
	DC Voltage	12V DC	24V DC
	Max. Current	Max. 8.3A/ch, ch1+ch2+ch3+ch4=16.6A	Max. 4.1A/ch, ch1+ch2+ch3+ch4=8.4A
	Voltage Tolerance	± 1%	
	Rated Power	max. 200W	
Input	Voltage Range	100-277V AC	
	Frequency Range	50/60Hz	
	Power Factor (Typ.)	> 0.98 @ 230VAC	
	Total Harmonic Distortion	THD ≤ 15% (@ full load / 230VAC)	
	Efficiency (Typ.)	93% @ 230VAC full load	
	AC Current (Typ.)	2.3A @ 100VAC, 1A @ 230VAC, 0.9A@277VAC	
	Inrush Current (Typ.)	COLD START Max. 65A at 230VAC	
	Leakage Current	< 0.5mA /230VAC	
Control	Standby Power Consumption	< 1W	
	Dimming Interface	DMX	
	Dimming Range	0.1%-100%	
	Dimming Method	Pulse Width Modulation	
	Dimming Curve	Linear, Logarithmic	

Protection	Over Current	Yes, recovers automatically after fault condition is removed
	Over Temperature	Yes, recovers automatically after fault condition is removed
Environment	Working Temp.	-20°C ~ +45°C
	Max. Case Temp.	85°C (Ta= "45°C")
	Working Humidity	10% ~ 95% RH non-condensing
	Storage Temp. & Humidity	-40°C ~ +80°C, 10% ~ 95% RH
Safety & EMC	Safety Standards	UL8750, CAN/CSA C22.2 No. 250.13-14, ENEC EN61347-1, EN61347-2-13 approved
	Withstand Voltage	I/P-O/P: 3.75KVAC
	Isolation Resistance	I/P-O/P: 100M Ohms / 500VDC / 25°C / 70% RH
	EMC Emission	EN55015, EN61000-3-2, EN61000-3-3
	EMC Immunity	EN61547, EN61000-4-2,3,4,5,6,8,11, surge immunity Line-Line 1KV
Others	MTBF	185800H, MIL-HDBK-217F @ 230VAC full load and 25°C ambient temperature

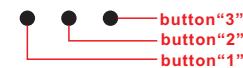
- Dimmable LED driver with rectangle metal case
- 4 channels 12/24VDC constant voltage output, to control single color, CCT, RGB/RGBW LED lighting
- Class 1 power supply, full isolated metal case
- Built-in two-stage active PFC function
- PF > 0.98, Efficiency > 93%
- Low standby power < 1W
- Built-in DMX dimming interface
- PWM digital dimming, logarithmic or linear dimming curve selectable
- Input protocols: DMX512(2008), DMX512-A
- Compliant with Safety Extra Low Voltage standard
- Over load, over temperature protection
- IP20 rating, suitable for indoor LED lighting applications
- 5 years warranty

Safety & Warnings

- DO NOT install with power applied to the device.
- DO NOT expose the device to moisture.

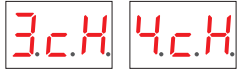
Operation

1. Set DMX Address Manually Via Buttons



- 1.1 Press and hold down button "1" until numeric digital display flashes, then release the button.
- 1.2 Click any of the 3 buttons once to select a digit, click again to change the digit until the desired DMX address appears. Click button "1" to set "hundreds" position, button "2" to set "tens" position and button "3" to set "units" position.
- 1.3 Then press and hold down any of the 3 buttons until the numeric digital display stops flashing to confirm the setting.

2. Set DMX Channel Quantity

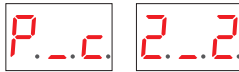


- 2.1 Press and hold down both button "2" and button "3" until the digital display flashes with "cH", release the buttons.
- 2.2 Click button "1" to choose 1cH, 2cH, 3cH, 4cH, which means total 1, 2, 3, 4 DMX channels. Then press and hold down any of the 3 buttons until digital display stops flashing to confirm the setting. Factory default setting is 4 channels output.

NOTE:

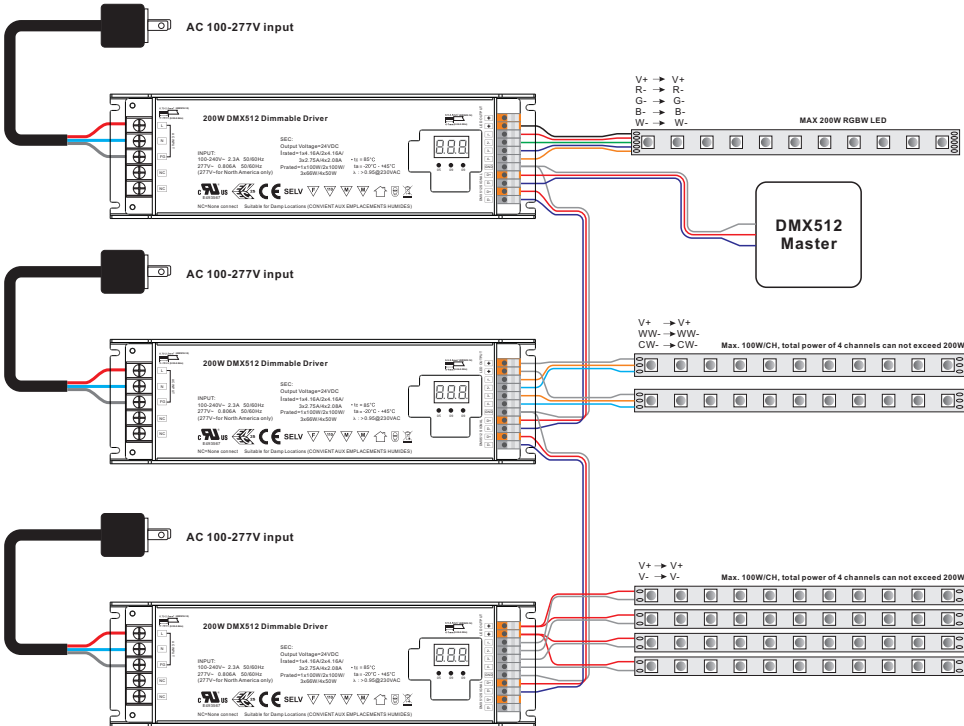
For example, when we set address as 001.
 When select 1cH, all 4 channels will be the same address 001.
 When select 2cH, channel 1&3 will be address 001, channel 2&4 will be address 002.
 When select 3cH, channel 1 will be address 001, channel 2 will be address 002, channel 3 will be address 003, and channel 4 will be address 001.
 When select 4cH, channel 1, 2, 3, 4 will be address 001, 002, 003, 004 respectively.

3. Set Output PWM Frequency



- 3.1 Press and hold down both button "1" and button "3" until digital display flashes with "P_c", release the buttons.
- 3.2 "P" means PWM frequency, 2 PWM frequencies are available, click button "1" to choose "1" or "2", "1" stands for 1500Hz and "2" stands for 200Hz.
- 3.3 "c" means dimming options, 2 options are available, click button "3" to choose "1" or "2", "1" stands for logarithmic dimming and "2" stands for linear dimming.
- 3.4 Press and hold down any of the 3 buttons until digital display stops flashing to confirm setting. Factory default setting is 1-2 which means 1500Hz PWM frequency with linear dimming.

Wiring diagram



Product Dimension

